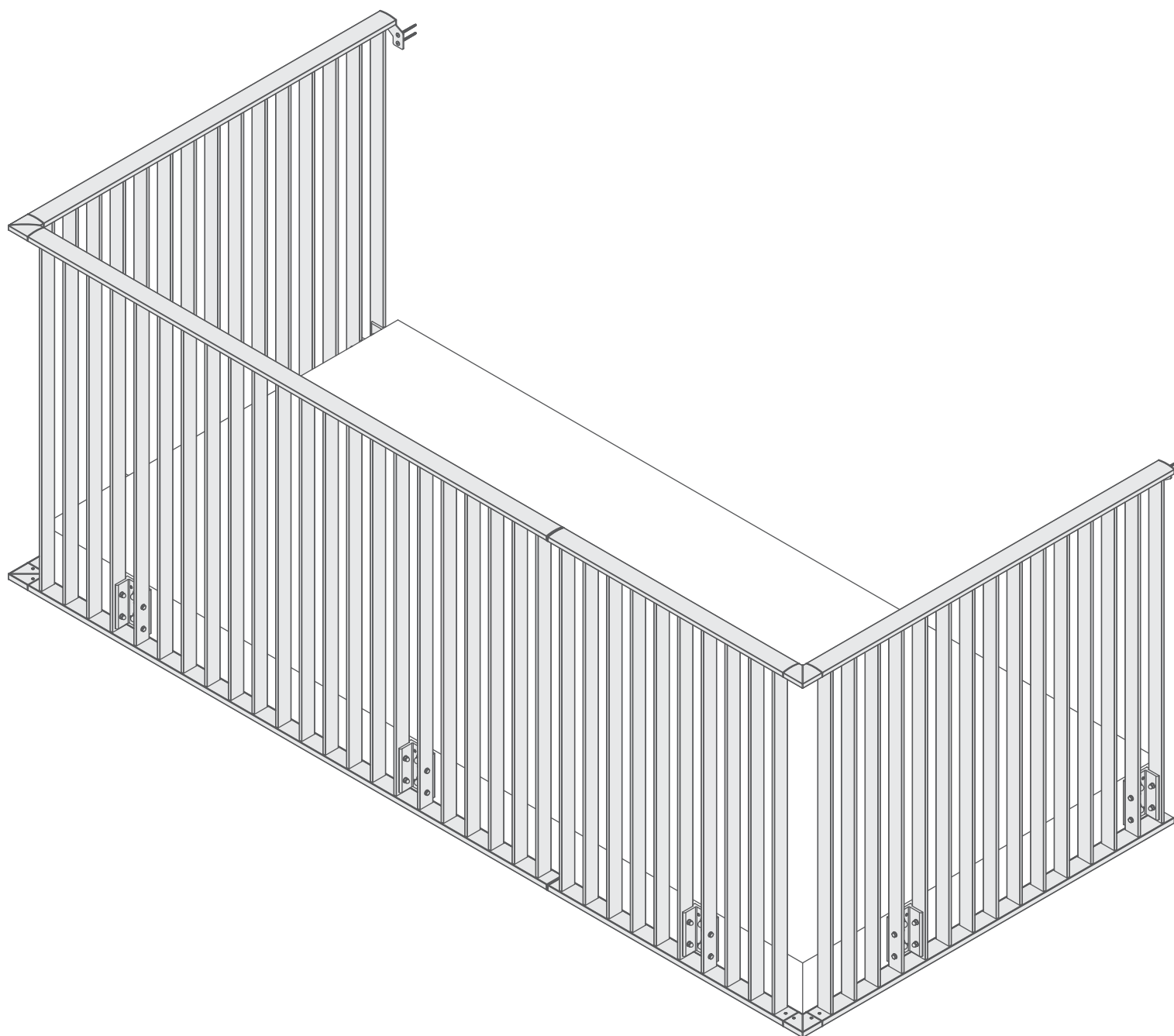


aluminium railing systems **series 100**



TOOLS



DRILL



RIVETTER



SCREWDRIVER



HEXAGON



DRILLBIT

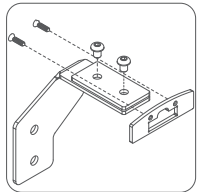


WRENCH



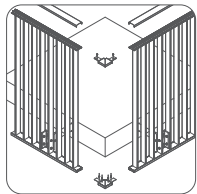
UNITS

4



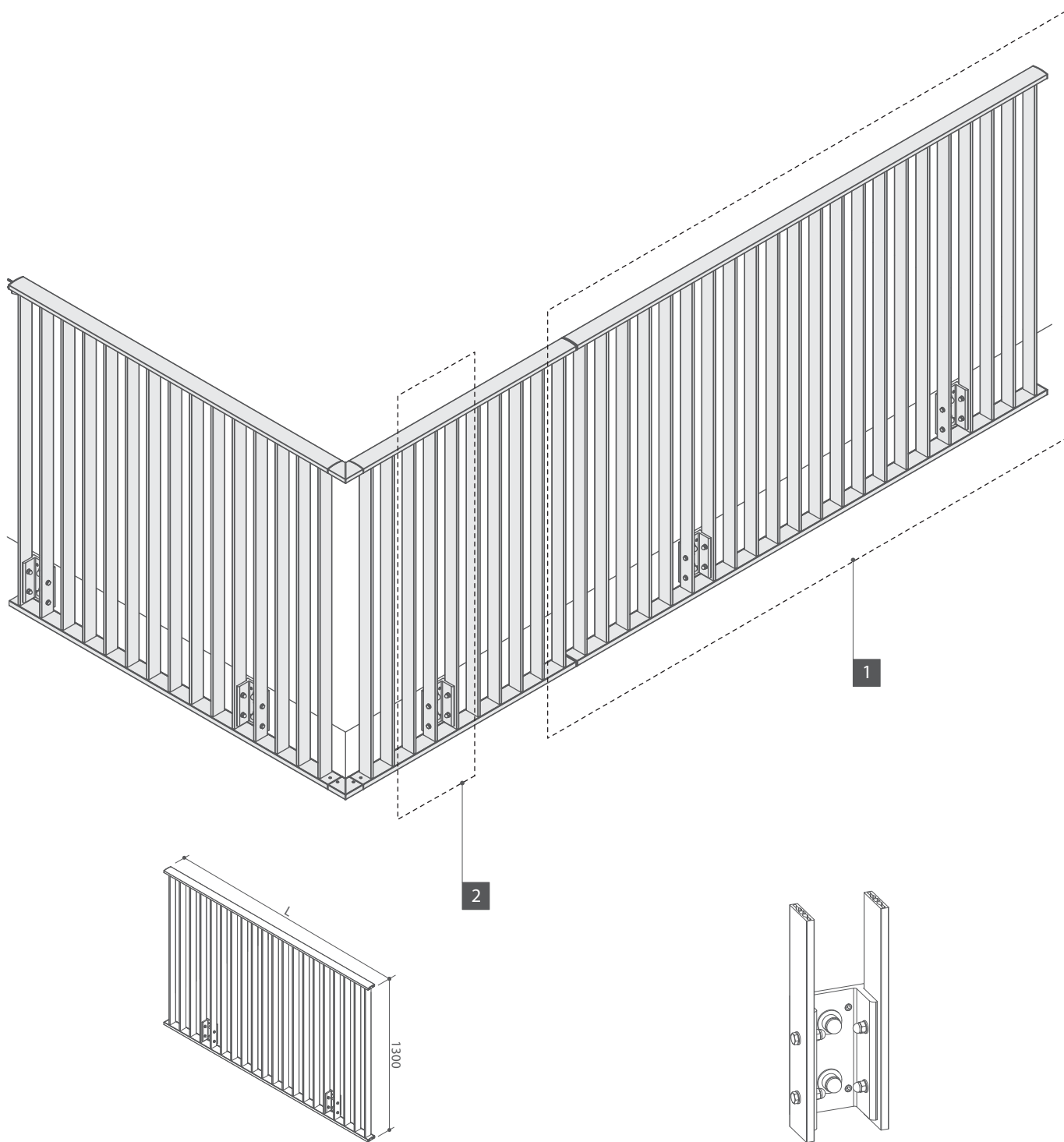
CONNECTION SETS

6



FIXATIONS (ASSEMBLY)

13



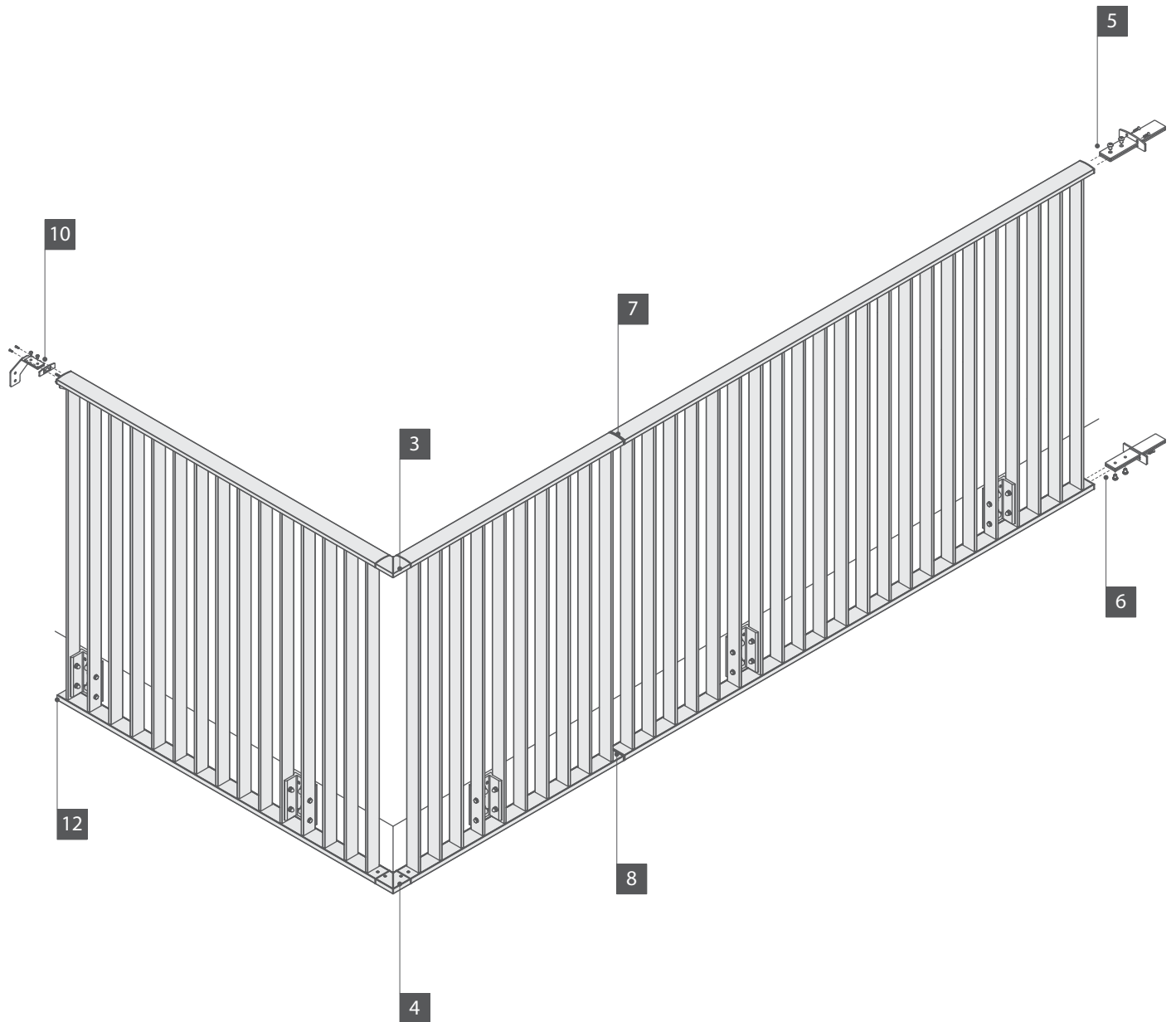
1 Railings segment L 2400, H=1,3 m, anodised silver (234.91041.241)

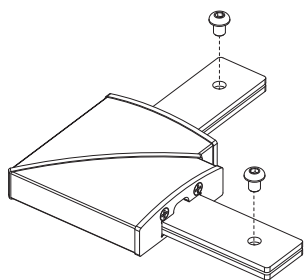
234.11000.571	rounded profile, 5,7m, AS	2,4 m
234.11020.571	rail profile, 5,7m, AS	4,8 m
234.11040.571	baluster profile, 5,7m, AS	20 pcs.
234.51912.114	screw DIN 912 4,8x16, inox A4	80 pcs.
234.11010.571	corner profile, 5,7 m, AS	2,4 m
234.91105.011	plate for vertical fixation, AS*	2 pcs.

2 Fixation plate set with two posts, anodised silver (234.91105.011)

234.21060.011	plate for anchor connection, AS	1 pcs.
234.51587.013	cap nut DIN 1587 M8	4 pcs.
234.58931.114	hex head bolts DIN 931 M8 x 30, inox A4	4 pcs.
234.51125.013	washer DIN 125A M8	8 pcs.
234.52125.114	washer DIN 125A M10, inox A4	2 pcs.
234.31100.010	plastic plug M10 gray	2 pcs.
234.51912.114	screw DIN 912 4,8x16, inox A4	8 pcs.
234.51034.124	anchor plug M10 x 112, inox A4	2 pcs.
234.21030.121	newel post profile, 1260 mm, AS	2 pcs.
234.59913.114	socket set screw DIN 913 M10 x 20	4 pcs.

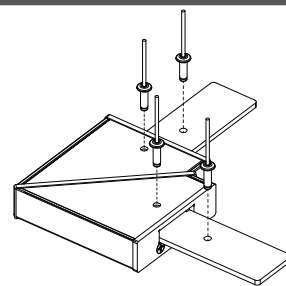
* 1 fixation plate for 1 meter.





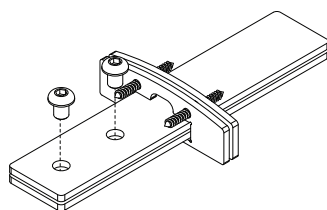
3 Upper corner connection set 90° 234.91113.011

234.58380.114	screw ISO 7380 M6 x 8, inox A4	4 pcs.
234.20110.011	fixation plate 4 x M6 for corner at 90°	1 pcs.
234.20103.011	fixation plate 4 x Ø7mm for corner at 90°	1 pcs.
234.11000.571	rounded profile, AS	2 pcs.
234.11020.571	rail profile, AS	2 pcs.
234.51982.114	screw DIN 7982 3,5x16, inox A4	4 pcs.
234.21109.011	upper rounded profile end piece with cutout 180°, RAL	2 pcs.
234.21107.012	top connection piece 90°, RAL	1 pcs.



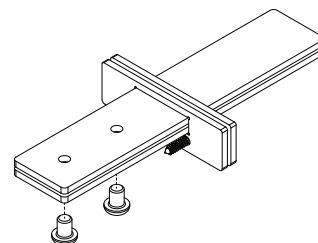
4 Bottom corner connection set at 90° 234.91119.011

234.54238.114	rivet DIN 7337 4 x 16, inox A4	4 pcs.
234.21104.011	fixation plate for corner at 90°	1 pcs.
234.11010.571	corner profile, AS	2 pcs.
234.11020.571	rail profile, AS	2 pcs.
234.51982.114	screw DIN 7982 3,5x16, inox A4	4 pcs.
234.21105.012	bottom connection piece 90°, RAL	1 pcs.
234.21111.011	end piece with cutout for angular profile 180°, RAL	2 pcs.



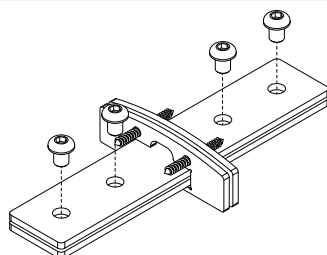
5 Upper damping fixation set for segment 180°, RAL 234.91117.011

234.58380.114	screw ISO 7380 M6 x 8, inox A4	2 pcs.
234.21114.114	damping plate for segments, 2 x M6, 180°, inox A4	1 pcs.
234.21115.114	damping plate for segments, 2 x Ø7 mm 180°, inox A4	1 pcs.
234.21109.011	rounded profile end piece with cutout 180°, RAL	2 pcs.
234.51982.114	screw DIN 7982 3,5x16, inox A4	4 pcs.



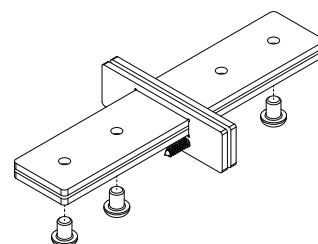
6 Bottom damping fixation set for segment 180°, RAL 234.91118.011

234.58380.114	screw ISO 7380 M6 x 8, inox A4	2 pcs.
234.21114.114	damping plate for segments, 2 x M6, 180°, inox A4	1 pcs.
234.21115.114	damping plate for segments, 2 x Ø7 mm 180°, inox A4	1 pcs.
234.21111.011	end piece with cutout for angular profile 180°, RAL	2 pcs.
234.51982.114	screw DIN 7982 3,5x16, inox A4	4 pcs.



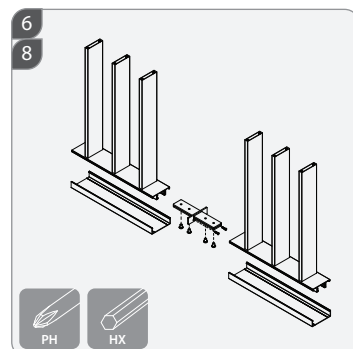
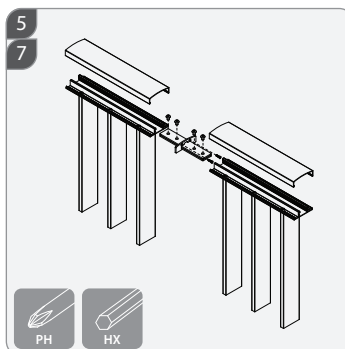
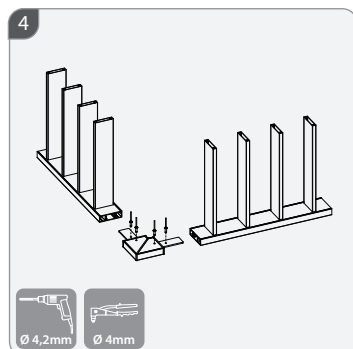
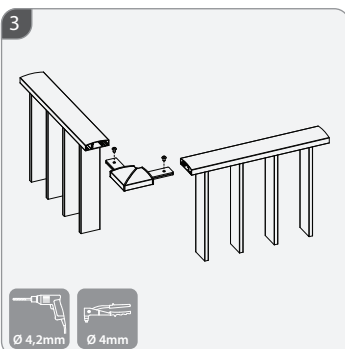
7 Upper fixation set for segment 180°, RAL 234.91108.011

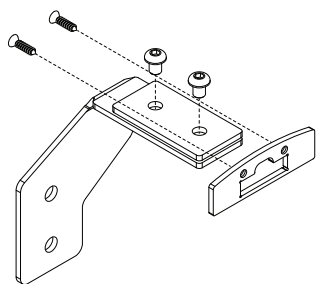
234.58380.114	screw ISO 7380 M6 x 8, inox A4	4 pcs.
234.21101.114	fixation plate for segment, 4 x M6, 180°, inox A4	1 pcs.
234.21102.114	fixation plate for segment, 4 x Ø7 mm, 180°, inox A4	1 pcs.
234.21109.011	rounded profile end piece with cutout 180°, RAL	2 pcs.
234.51982.114	screw DIN 7982 3,5x16, inox A4	4 pcs.



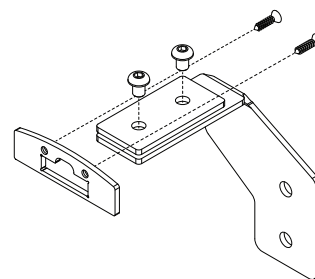
8 Bottom fixation set for segment 180°, RAL 234.91109.011

234.58380.114	screw ISO 7380 M6 x 8, inox A4	4 pcs.
234.21101.114	fixation plate for segment, 4 x M6, 180°, inox A4	1 pcs.
234.21102.114	fixation plate for segment, 4 x Ø7 mm, 180°, inox A4	1 pcs.
234.21111.011	end piece with cutout for angular profile 180°, RAL	2 pcs.
234.51982.114	screw DIN 7982 3,5x16, inox A4	4 pcs.

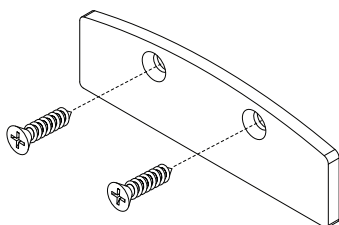




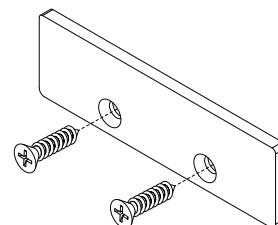
9	Wall connector set (left), inox A4	234.91106.114
234.20102.114	wall connector (left), inox A4	1 pcs.
234.58380.114	screw ISO 7380 M6 x 8, inox A4	2 pcs.
234.21109.011	rounded profile end piece with cutout 180°, (100.s), RAL	1 pcs.
234.51982.114	screw DIN 7982 3,5x16, inox A4	2 pcs.



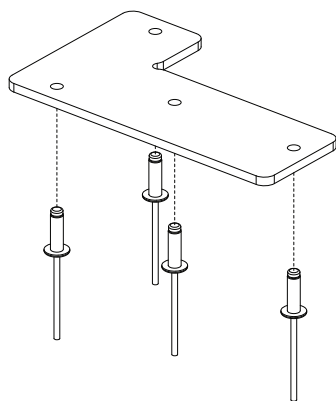
10	Wall connector set (right), inox A4	234.91107.114
234.20101.114	wall connector (right), inox A4	1 pcs.
234.58380.114	screw ISO 7380 M6 x 8, inox A4	2 pcs.
234.21109.011	rounded profile end piece with cutout 180°, (100.s), RAL	1 pcs.
234.51982.114	screw DIN 7982 3,5x16, inox A4	2 pcs.



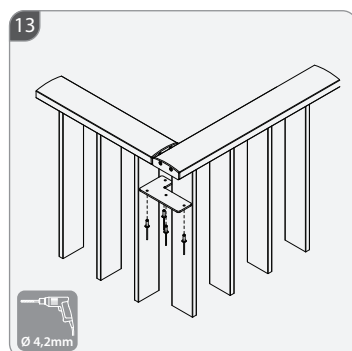
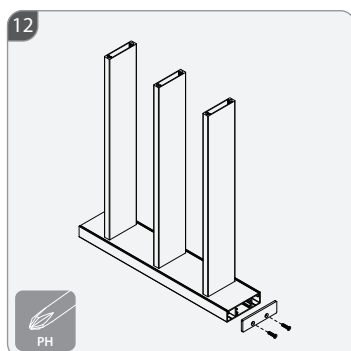
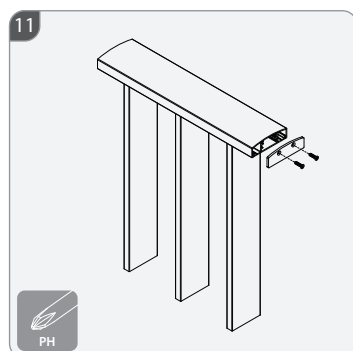
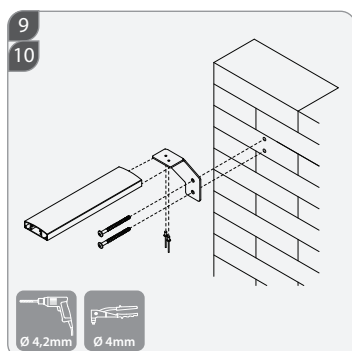
11	Rounded profile end piece set 180°, RAL	234.91115.011
234.21110.011	rounded profile end piece 180°, RAL	1 pcs.
234.51982.114	screw DIN 7982 3,5x16, inox A4	2 pcs.



12	Angular profile end piece set 180°, RAL	234.91114.011
234.21108.011	end piece for angular profile 180°, RAL	1 pcs.
234.51982.114	screw DIN 7982 3,5x16, inox A4	2 pcs.

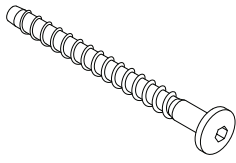


13	Fixation plate set, AS	234.91116.011
234.54238.114	rivet DIN 7337 4 x 16, A4	4 pcs.
234.21116.011	fixation plate, AS	1 pcs.



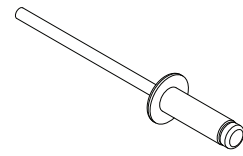






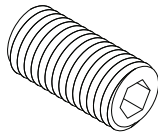
32 screw 7,5 x 75, inox A4

234.50775.114



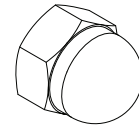
33 rivet DIN 7337 4 x 16, A4

234.54238.114



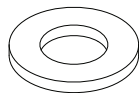
34 socket set screw DIN 913 M10 x 20

234.59913.114



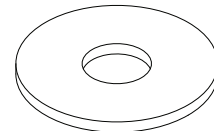
35 cap nut DIN 1587 M8

234.51587.013



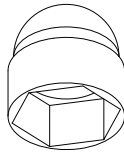
36 washer DIN 125A M8

234.51125.114



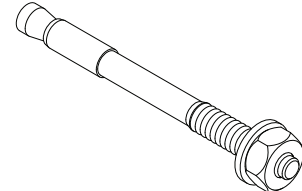
37 washer DIN 125A, M10, inox A4

234.52125.114



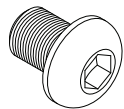
38 plastic plug M10 gray

234.31100.010



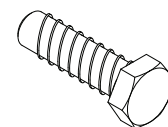
39 anchor plug M10 x 112, inox A4

234.51034.124



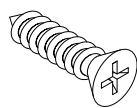
40 screw ISO 7380 M6 x 8, inox A4

234.58380.114



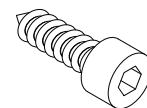
41 hex head bolts DIN 931 M8 x 30, A4

234.58931.114



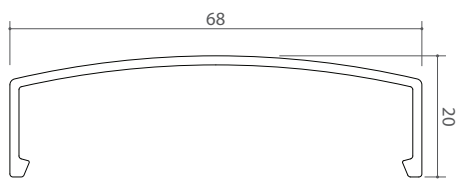
42 screw DIN 7982 3,5x16, inox A4

234.51982.114

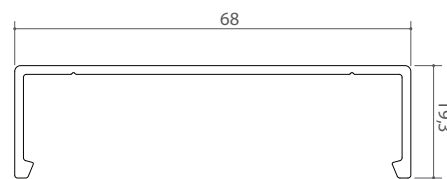


43 screw DIN 912 4,8x16, inox A4

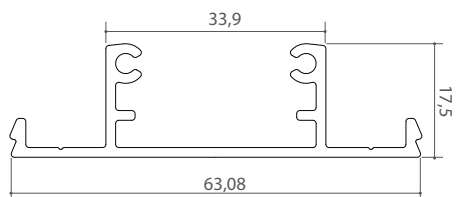
234.51912.114



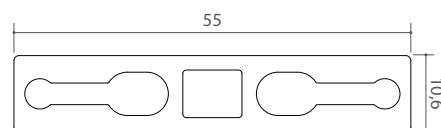
44 rounded profile, 5,7m, AS 234.11000.571



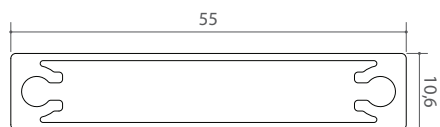
45 corner profile, 5,7m, AS 234.11010.571



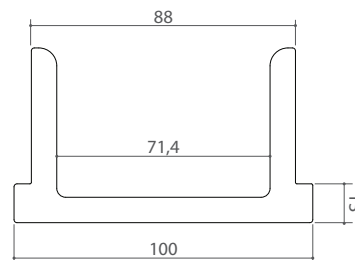
46 rail profile, 5,7m, AS 234.11020.571



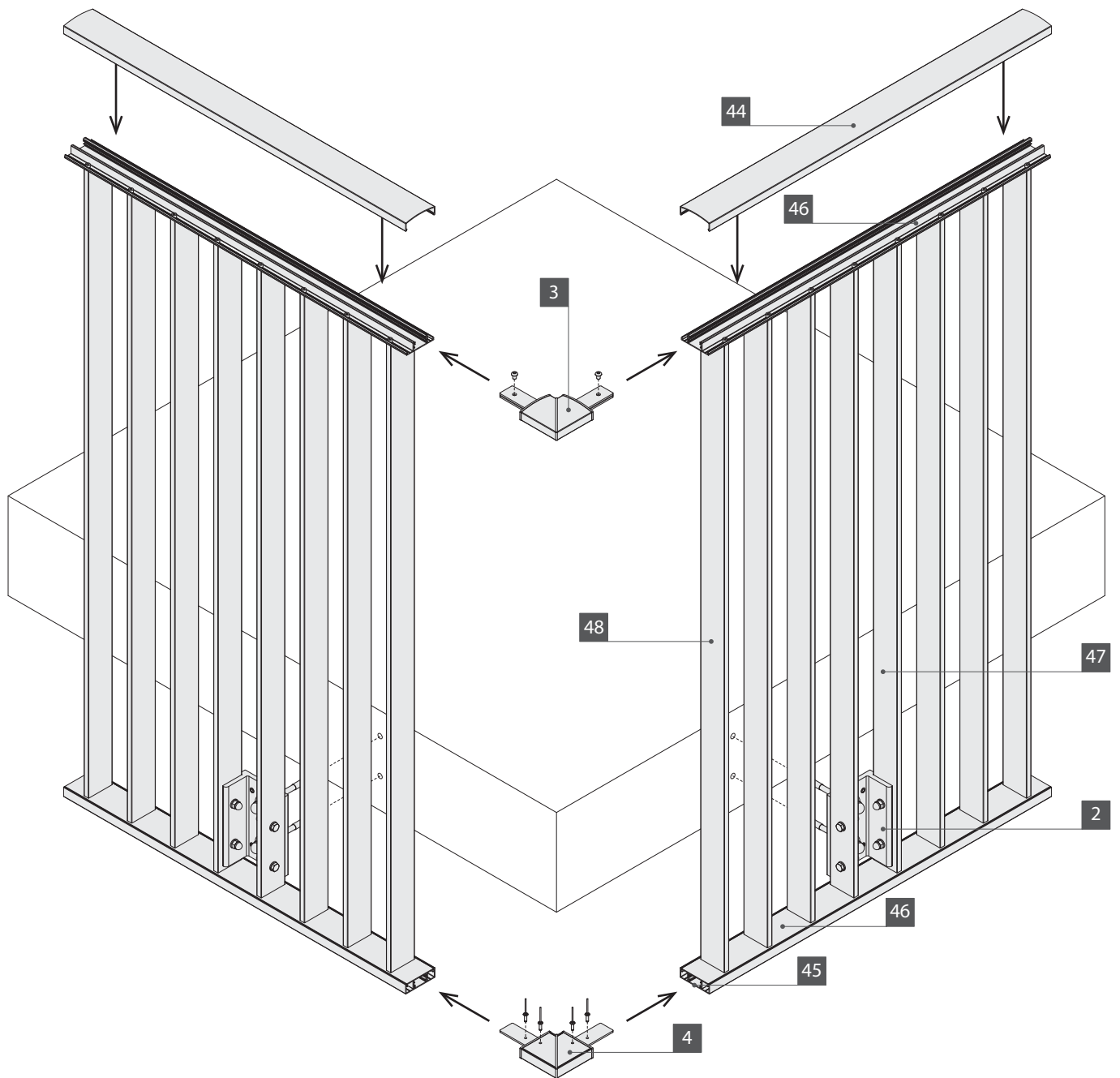
47 newel post profile, 5,7m, AS 234.11030.571



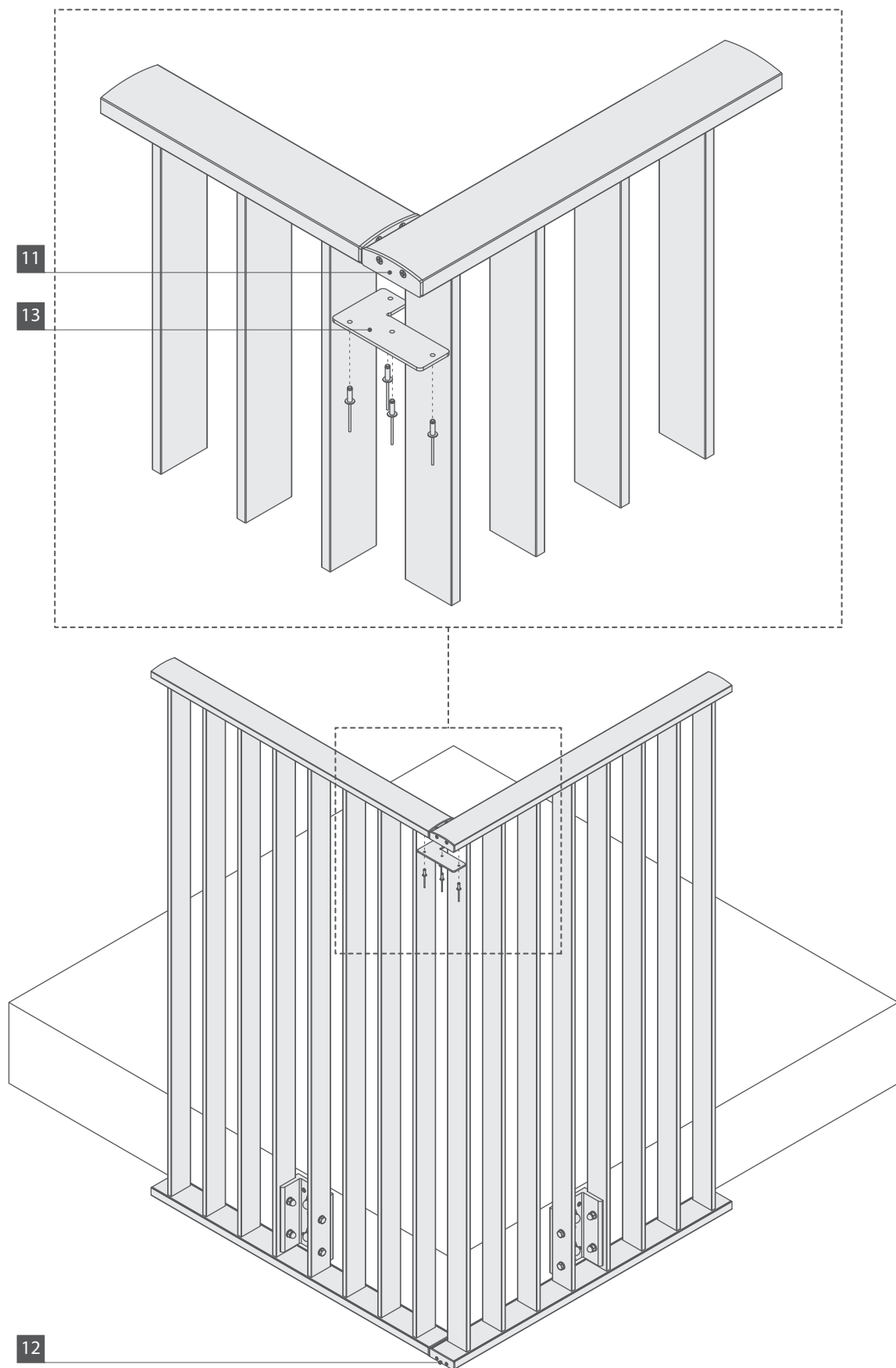
48 hollow profile, 5,7m, AS 234.11040.571



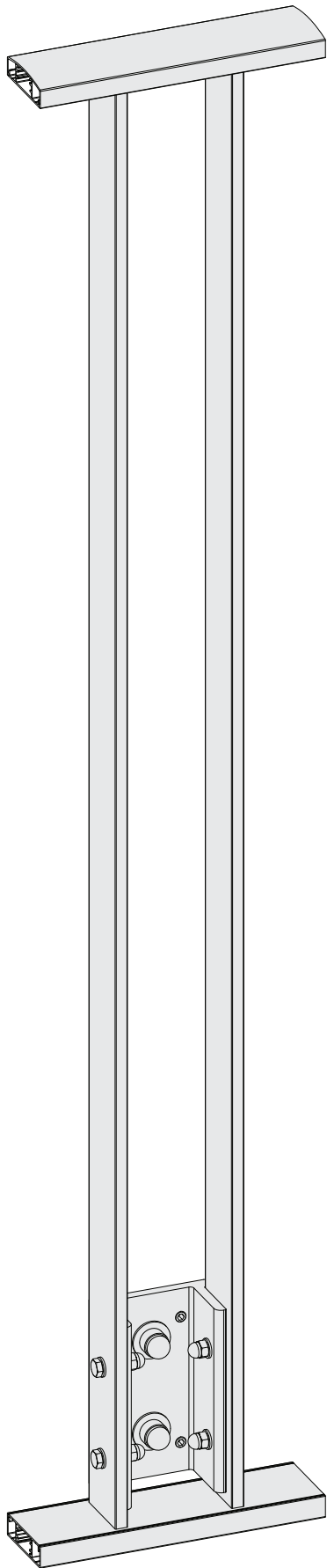
49 fixation plate profile, AS 234.11060.571



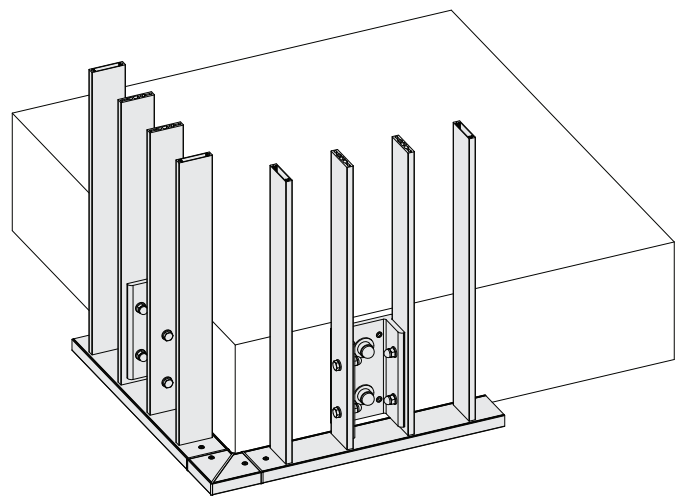
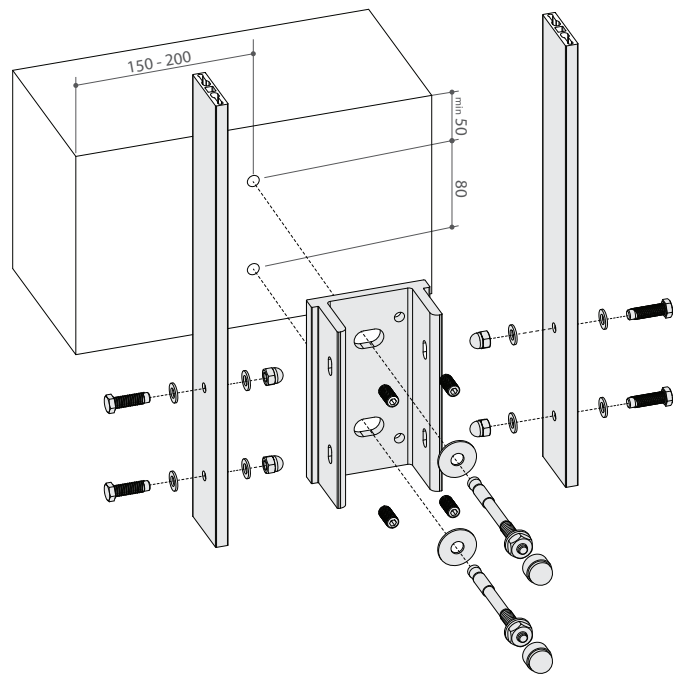
corner fixation with corner connection unit



corner fixation with connecting plate



Fixation plate set with two posts, AS (234.91105.011).



Fixation plate positioning on the corner.





RIPO fabrika SIA
Hanzas Street 2, Pinki, Babite district
LV 2107, Latvia

info@ripo.lv

www.ripo.lv